



COASTAL RESOURCES DIVISION
ONE CONSERVATION WAY • BRUNSWICK, GA 31520 • 912.264.7218
COASTALGADNR.ORG

MARK WILLIAMS
COMMISSIONER

DOUG HAYMANS
DIRECTOR

APR 02 2020

Tony Vicent
Glynn County Public Works
4145 Norwich Street
Brunswick, Georgia 31520

Re: Letter of Permission (LOP) and Revocable License (RL) for Tide Gate Replacement Within Coastal Marshlands Protection Act (CMPA) Jurisdiction, Ocean Boulevard and Arnold Road, St. Simons Island, Glynn County, Georgia (GPS: 31.141823 -81.379675)

Dear Mr. Vicent,

This Letter of Permission (LOP) is in response to your request dated March 13, 2020 for tide gate replacement adjacent to Ocean Boulevard and Arnold Road on St. Simons Island, Georgia.

According to your request, the functionality of the existing flapper style tide gate has decreased in functionality and needs to be replaced. The proposed project involves temporary installation of a sheet pile coffer dam and dewatering a 250 square foot area in front of the tide gate to allow for cleaning sediment and mud on the concrete apron of the tide gate. The bolts and anchors of the existing flapper gate will be removed, and it will be lifted from the marsh by an excavator staged outside of CMPA jurisdiction. The drainage pipe connected to the tide gate will remain in place. The new tide gate will be lowered and held in place with an excavator until the contractor installs the new bolts and anchors. Any of the construction material or devices removed during the project will be taken offsite and properly disposed at an approved upland location. All project related work is expected to take place within Glynn County Right-of-Way. The type of equipment being used for this project include: an excavator, dump truck, power tools, water pump and hand tools. This project will decrease total tide gate footprint from 41 sq. ft. to 26 sq. ft. The project will begin no sooner than 15 days from the date of this letter and will be completed no later than six (6) months from the date of this letter.

The Department authorizes the proposed tide gate replacement as depicted in the attached description and drawings and has no objection to the action. **No unauthorized equipment, materials or debris may be placed, stored, or disposed of in jurisdictional areas.** Any change in the use, location, dimensions, or configuration of the approved project, without prior notification and approval from this office, could result in revocation of this permission and in the required removal of the related structures. Any incidental damage to coastal marshlands that has not naturally recovered within one year will require restoration to be coordinated through this office.

Please find enclosed your current revocable license for the tide gate replacement. This license serves as authorization to utilize state owned tidal water bottoms for your project, as per the dimensions and configuration described. Any change in the use, location, dimensions, or configuration of the approved project, without prior notification and approval from this office, could result in revocation of this license and in required removal of the materials and related structures.

Glynn County Public Works
Tide Gate Installation- Ocean Blvd and Arnold Street
Page 2 of 2

This authorization does not relieve you from obtaining any other federal, state, or local permits. If you have any further questions or concerns regarding this or any other projects, please feel free to contact Amy Flowers at (912) 262-3109.

Sincerely,

A handwritten signature in black ink, appearing to read "Jill Andrews", with a long horizontal flourish extending to the right.

Jill Andrews
Chief, Coastal Management Section

Enclosures: Project Description, Drawings, Revocable License
File: LOP20200044

STATE OF GEORGIA

REVOCABLE LICENSE REQUEST FOR THE USE OF TIDAL WATERBOTTOMS

APPLICANTS NAME(S): Glynn County Public Works

MAILING ADDRESS: 4145 Norwich Street Brunswick GA 31520
(Street) (City) (State) (Zip)

PROJECT ADDRESS/LOCATION: 1351 Ocean Blvd Saint Simons Island GA 31522

COUNTY: Glynn WATERWAY: Bloody Marsh DATE: 03/24/2020

LOT, BLOCK & SUBDIVISION NAME FROM DEED: Glynn County Right-of-Way at 1300 block of Ocean Blvd at Bloody Marsh

Georgia Department of Natural Resources
Coastal Resources Division
One Conservation Way
Brunswick, Georgia 31520-8687

I am requesting that I be granted a revocable license from the State of Georgia to encroach on the beds of tidewaters, which are state owned property. Attached hereto and made a part of this request is a copy of the plans and description of the project that will be the subject of such a license. I certify that all information submitted is true and correct to the best of my knowledge and understand that willful misrepresentation or falsification is punishable by law.

I understand that if permission from the State is granted, it will be a revocable license and will not constitute a license coupled with an interest. I acknowledge that this revocable license does not resolve any actual or potential disputes regarding the ownership of, or rights in, or over the property upon which the subject project is proposed, and shall not be construed as recognizing or denying any such rights or interests. I acknowledge that such a license would relate only to the property interests of the State and would not obviate the necessity of obtaining any other State license, permit or authorization required by State law. I recognize that I waive my right of expectation of privacy and I do not have the permission of the State of Georgia to proceed with such project until the Commissioner of DNR or his/her designee has signed a copy of this request.

Sincerely,
By: [Signature] Engineer II
(Applicant), title if applicable

By: _____
(Applicant), title if applicable

The State of Georgia hereby grants you a revocable license not coupled with an interest as provided in your request. This area may now or in the future be utilized by boats employing power drawn nets under the provisions for commercial or sport bait shrimping. In its occupancy and use of the premises, licensee shall not discriminate against any person on the basis of race, gender, color, national origin, religion, age, or disability. This covenant by licensee may be enforced by termination of this license, by injunction, and by any other remedy available at law to the Department. The project proposed for this license must be constructed and completed within **the specified timeframe associated with the authorization and/or transmittal letter associated with this revocable license** and must be maintained in serviceable condition. Otherwise, action will be initiated to revoke this license and all structures must be removed immediately at the licensee's expense.

STATE OF GEORGIA
Office of the Governor

By: [Signature]
For: Mark Williams, Commissioner-DNR

APR 02 2020

Date: _____



PUBLIC WORKS
& ENGINEERING

GLYNN COUNTY PUBLIC WORKS DEPARTMENT

4145 Norwich Street – Brunswick, Georgia 31520
Phone: (912) 554-7746 / Fax: (888) 558-1549
www.glynncounty.org

March 13, 2020

Amy Flowers
Coastal Resource Division
GA Department of Natural Resources
One Conservation Way
Brunswick, GA 31520

Ms. Flowers,

Glynn County Public Works is looking for authorization to replace the tide gate located at Ocean Blvd and Arnold Rd on Saint Simons Island. Replacing the tide gate would involve temporarily dewatering a 250 square foot area in front of the tide gate by method of sheet piling and cleaning off the sediment and mud on the concrete apron of the tide gate. All work will be taking place in the Glynn County right-of-way. The type of equipment being used for this project include: an excavator, dump truck, power tools, water pump and hand tools. This project will stay within the existing footprint of what is already there. The project is planned to take no more than 2 months to complete.

A similar request was permitted at this location in 2016. (File# LOP20160016)

Sincerely,

Tony Vicent
Engineer II
Glynn County Public Works
4145 Norwich Street Ext.
Brunswick, GA 31520

Office #:912-554-7742

Buildings

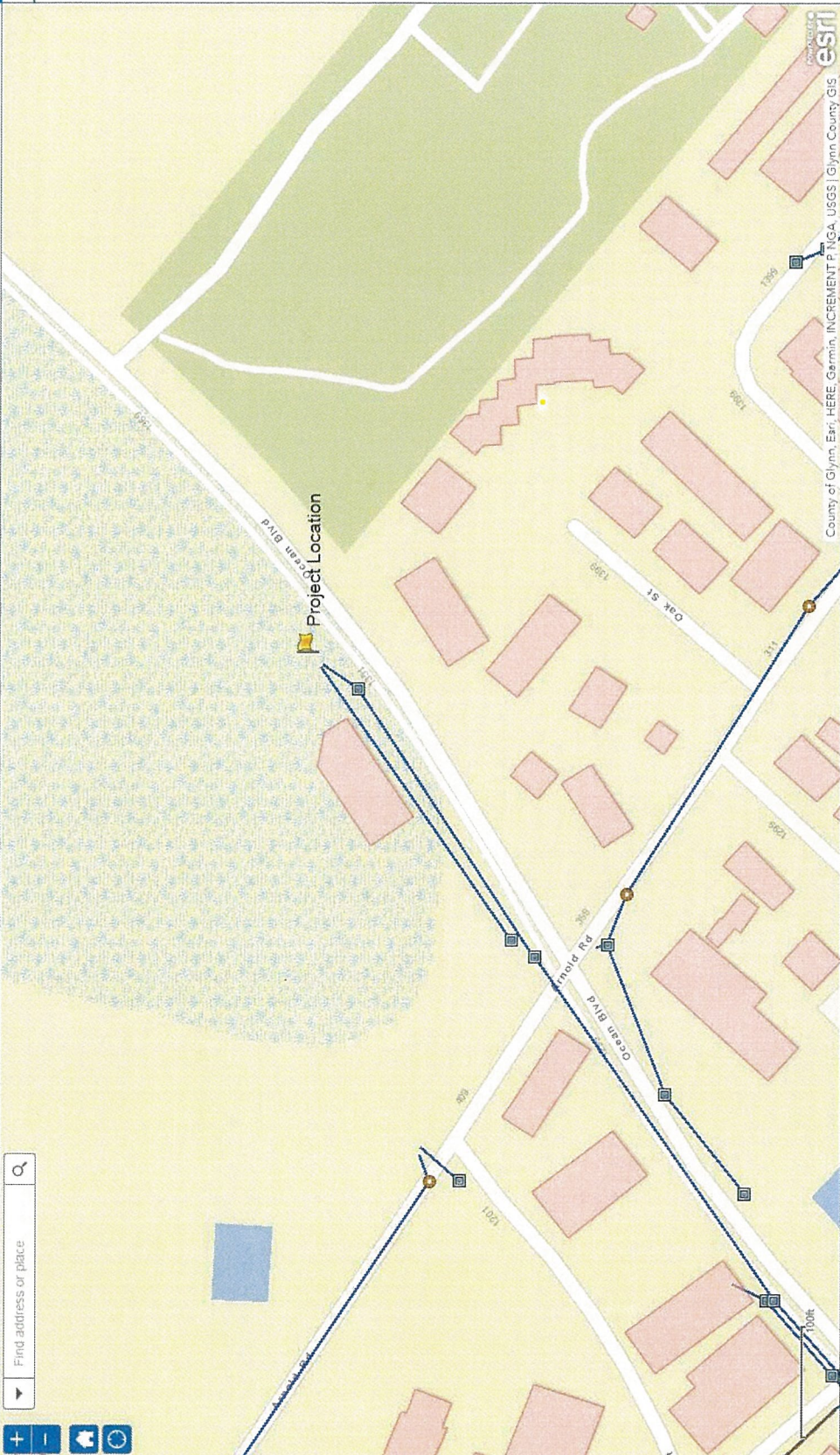
- Dispersed
- Building
- Building Permit
- Demolished

Storm Network

- Storm Inlets
- CURB INLET
- DROP INLET
- GRATE INLET
- JUNCTION BOX
- STORM MANHOLE

Storm Lines

- BOXCULVERT
- CANAL
- CULVERT
- DITCH
- FLUME
- PIPE
- SWALE
- DetentionPonds

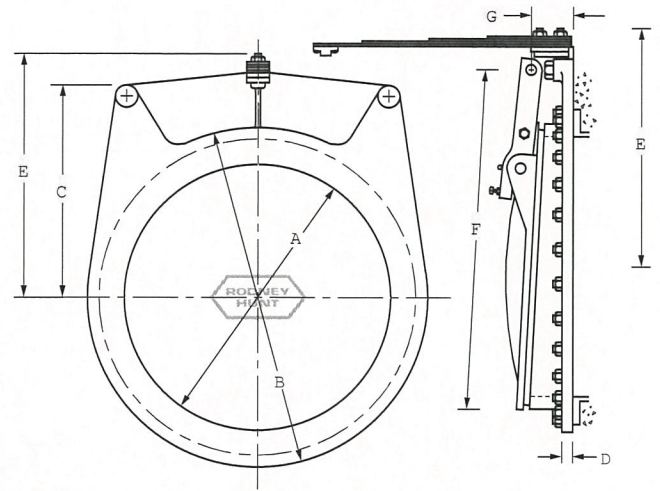


Series FV-AC and Series FV-ACP

Dimensions

A = Diameter inches (mm)	B	C	D	E	F	G
4 (100)	9 (229)	5-9/16 (141)	3/4 (19)	8-1/2 (216)	8 (203)	2-3/4 (70)
6 (150)	11 (279)	5-9/16 (141)	3/4 (19)	8-1/4 (210)	9 (229)	2-3/4 (70)
8 (200)	13-1/2 (343)	6-3/4 (171)	3/4 (19)	9-1/4 (235)	11-1/4 (286)	3 (76)
10 (250)	16 (406)	8-1/4 (210)	7/8 (22)	11-1/8 (283)	13-1/2 (413)	3 (76)
12 (300)	19 (483)	9-3/4 (248)	1 (25)	13-1/2 (343)	16-1/4 (413)	3 (76)
14 (350)	21 (533)	12 (305)	1-1/8 (29)	15-1/2 (394)	19-1/2 (495)	3-1/4 (83)
16 (400)	23-1/2 (597)	12-3/4 (324)	1-1/8 (29)	17-1/8 (435)	21-1/4 (540)	3-1/4 (83)
18 (450)	25 (635)	14-1/2 (368)	1-1/4 (32)	18-5/8 (473)	24 (610)	3-1/2 (89)
20 (500)	27 1/2 (699)	16 1/8 (410)	1-1/4 (32)	17-7/8 (454)	26 1/2 (673)	5 (127)
24 (600)	32 (813)	19-1/2 (495)	1-3/8 (35)	22-3/4 (578)	31-3/4 (806)	5-1/2 (140)
30 (750)	38-3/4 (984)	24 (610)	1-1/2 (38)	28-5/8 (727)	39-1/2 (1003)	6 (152)
36 (900)	46 (1168)	28-1/2 (724)	1-5/8 (41)	32-3/4 (832)	47 (1190)	6-1/2 (165)
42 (1075)	53 (1346)	33 (838)	1-3/4 (44)	36-1/2 (927)	54-1/2 (1380)	7 (178)
48 (1200)	59-1/2 (1511)	38 (978)	2 (1054)	41-1/2 (1575)	62 (1570)	7-1/2 (191)
54 (1375)	66-1/4 (1683)	42-1/2 (1080)	2-1/4 (57)	46-3/4 (1187)	69-1/2 (1770)	8-1/2 (216)
60 (1500)	73 (1854)	47 (1194)	2-1/4 (57)	52 (1321)	77-1/4 (1960)	8-1/2 (216)
66 (1650)	79 (2007)	51-1/2 (1308)	2-1/4 (57)	55-1/2 (1410)	85-1/4 (2170)	8-1/2 (216)
72 (1800)	86-1/2 (2197)	54-1/8 (1375)	2-1/2 (64)	-	92-3/4 (2360)	8-1/2 (216)
78 (1950)	93-1/8 (2365)	60-1/2 (1537)	2-1/2 (64)	-	100-1/2 (2550)	8-1/2 (216)
84 (2100)	99-3/4 (2534)	65-1/4 (1657)	2-5/8 (67)	-	108 (2740)	9-1/2 (241)
96 (2400)	113-1/4 (2877)	74-1/2 (1892)	2-3/4 (70)	-	123 (3120)	9-1/2 (241)
108 (2745)	128-1/2 (3264)	83-1/2 (2121)	3 (76)	-	138 (4505)	10-7/8 (276)

NOTE: Mounting flange drilled to match 25 lb. or 125 lb. drilling.
D=thickness of mounting flange.



Standard Materials

Part	Material
Flap Cover	Cast Iron (A126 Class B)
Cover Seat Facing	Iron (A126 Class B) or Bronze (B21-464)
Body	Cast Iron (A 126 Class B)
Body Seat Facing	Neoprene (D-2000) or Bronze (B21-464)
Hinge Arms	Bronze (B584-C865)
Hinge Pins	Stainless Steel (A276-304)
Hinge Pin Washers	Stainless Steel (A276-304)
Cotter Pins	Bronze (B98-C655)
Anti-Locking Bar	Steel (A108 C1018)
Bumper Spring	Heat-treated spring steel (A689)

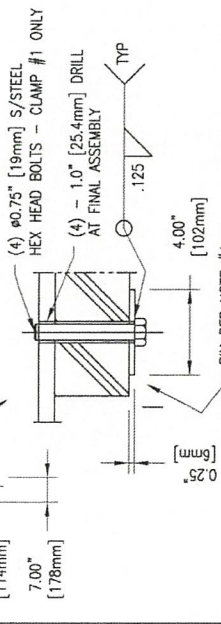
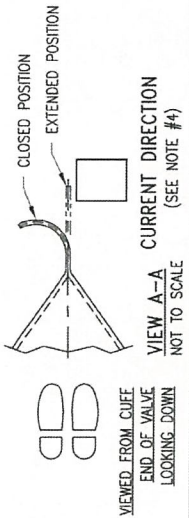
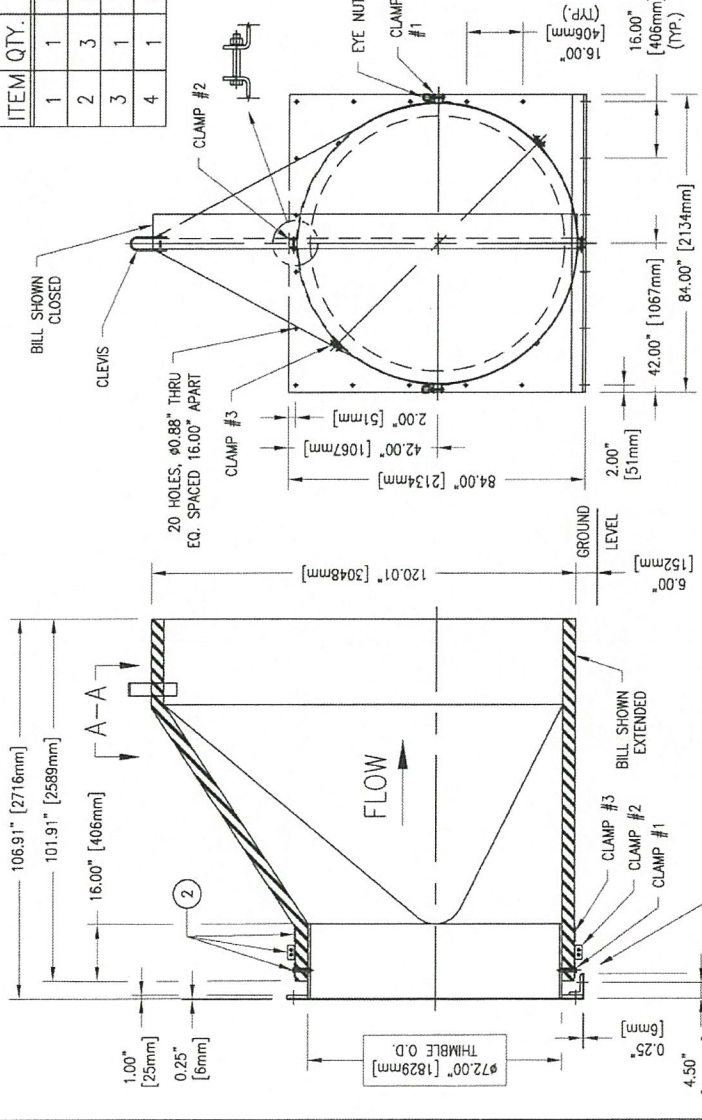
Note: Specifications available at www.rodneyhunt.com

ITEM	QTY.	DESCRIPTION	MAT'L
1	1	CHECK VALVE SLEEVE	MUST BE SUPPLIED
2	3	MOUNTING CLAMP	MUST BE SUPPLIED
3	1	THIMBLE PLATE	MUST BE SUPPLIED
4	1	GASKET	MUST BE SUPPLIED

NOTES:

1. MAXIMUM BACK PRESSURE: **MUST BE SUPPLIED**
- LINE PRESSURE: **MUST BE SUPPLIED**
- TIDEFLEX IS TO BE MOUNTED WITH THE OUTFLET IN THE VERTICAL POSITION
- IT IS RECOMMENDED TO BOLT OR PIN TIDEFLEX TO PIPE AS SHOWN, 4 PLACES 90° APART
- TIDEFLEX TO FIT ON A **72.0 INCH (1829mm)** O.D. THIMBLE.
- BECAUSE OF SAND, ROCK AND OTHER DEBRIS ACCUMULATION BY BACKFLOW OF WATER THE SUGGESTED BOTTOM CLEARANCE SHOULD BE PROVIDED.
- THIMBLE PLATE DIMENSIONS ARE FOR REFERENCE ONLY. ENGINEER IS TO DETERMINE ADEQUATE PLATE DIMENSIONS, NUMBER OF HOLES, DIAMETER OF HOLES, AND SPACING. THIS PLATE CONFIGURATION WILL BE SUPPLIED WITH APPROVED DRAWING UNLESS REVISED DIMENSIONS ARE SUPPLIED.

CUSTOMER TO SHOW DIRECTION OF PREDOMINANT CURRENT FLOW WITH ARROW IN VIEW 'A-A'. (IF NO CURRENT CUSTOMER TO WRITE NO IN BOX.)



PROPRIETARY NOTICE
 THIS DOCUMENT CONTAINS PROPRIETARY INFORMATION OF TIDEFLEX TECHNOLOGIES. IT IS LOANED BY TIDEFLEX TECHNOLOGIES, SUBJECT TO THE CONDITIONS THAT IT AND THE INFORMATION EMBODIED THEREIN SHALL BE USED ONLY FOR RECORD AND REFERENCE PURPOSES. IT SHALL NOT BE USED OR CAUSED TO BE USED IN ANY WAY PREJUDICIAL TO THE INTERESTS OF TIDEFLEX TECHNOLOGIES. IT SHALL NOT BE REPRODUCED OR COPIED IN WHOLE OR PART, OR DISCLOSED TO ANYONE WITHOUT THE DIRECT WRITTEN PERMISSION OF TIDEFLEX TECHNOLOGIES AND SHALL BE RETURNED UPON REQUEST.

OPPORTUNITY No: 66267 SALES ORDER No: 600 N. BELL AVE. CARNEGIE, PA. 15106 info@tideflex.com 412.279.0044 fax 412.279.5410

Tideflex
 T e c h n o l o g i e s
 A Division of Red Valve Company, Inc.

PRELIMINARY DRAWING
 NOT FOR APPROVAL PURPOSES

IT PRODUCT: 72" TF-1 TIDEFLEX W/84" SQ. PLATE & ANGLE
 IT PART No: TF1-720-APPROVAL

DR. BY: TLM DATE: 11-6-17 CHKD. BY: DATE:
 CAD SCALE: FULL
 PLOT SCALE: 1 = 1 DWG No: TTS-42278

CUSTOMER: GLYNN COUNTY PUBLIC WORKS

ORDER No: