



Vicinity Map **St. Marys Intercoastal Gateway Project**
 St. Marys, Georgia **PROPOSED ACTIVITY: Dock Improvements**

Applicant: City of St. Marys
Date: 05/26/2020
County: County
JOB#: 18-1039 **DATUM:** MLW
SCALE: 1"=1 Mile **SHEET:** 1 of 9



Ball Maritime Group, LLC
 4 Cedar View Court | Savannah, Georgia | 31410 | (912) 662-2914
 www.ballmaritime.com Copyright © 2020

This map illustrates a general plan of the development which is for discussion purposes only. Does not limit or bind the owner and is subject to change and position locations are for illustrative purposes only and are subject to an accurate survey and property description. The information contained in this map is subject to change with out notice and is for illustrative purposes only and as such the producer assumes no legal responsibility.



BLOCK NO.5
(DEED BOOK 771, PG.557-559)

CAP EXTENDS WATERWARD OF
FACE OF BULKHEAD ±0.9' (TYP.)

CMPA
JURISDICTIONAL
LINE

CONCRETE WALK &
HEADWALL

APPROXIMATE
M.H.W.: 2.44'

APPROXIMATE
M.L.W. LINE

APPROXIMATE
EDGE OF MARSH

READY STREET
(100' R/W ~ PAVED)

ST. MARYS STREET
(100' R/W)

LANG'S
MARINA
EAST

APPROX. RAPARIAN LINE

ST. MARYS RIVER



Location Map

St. Marys, Georgia

**St. Marys Interoceanal
Gateway Project**

PROPOSED ACTIVITY: Dock Improvements

Applicant: City of St. Marys

Date: 05/26/2020

County: Camden

JOB#: 18-1039

SCALE: 1"=100'

DATUM: MLW

SHEET: 2 of 9

GENERAL NOTES:

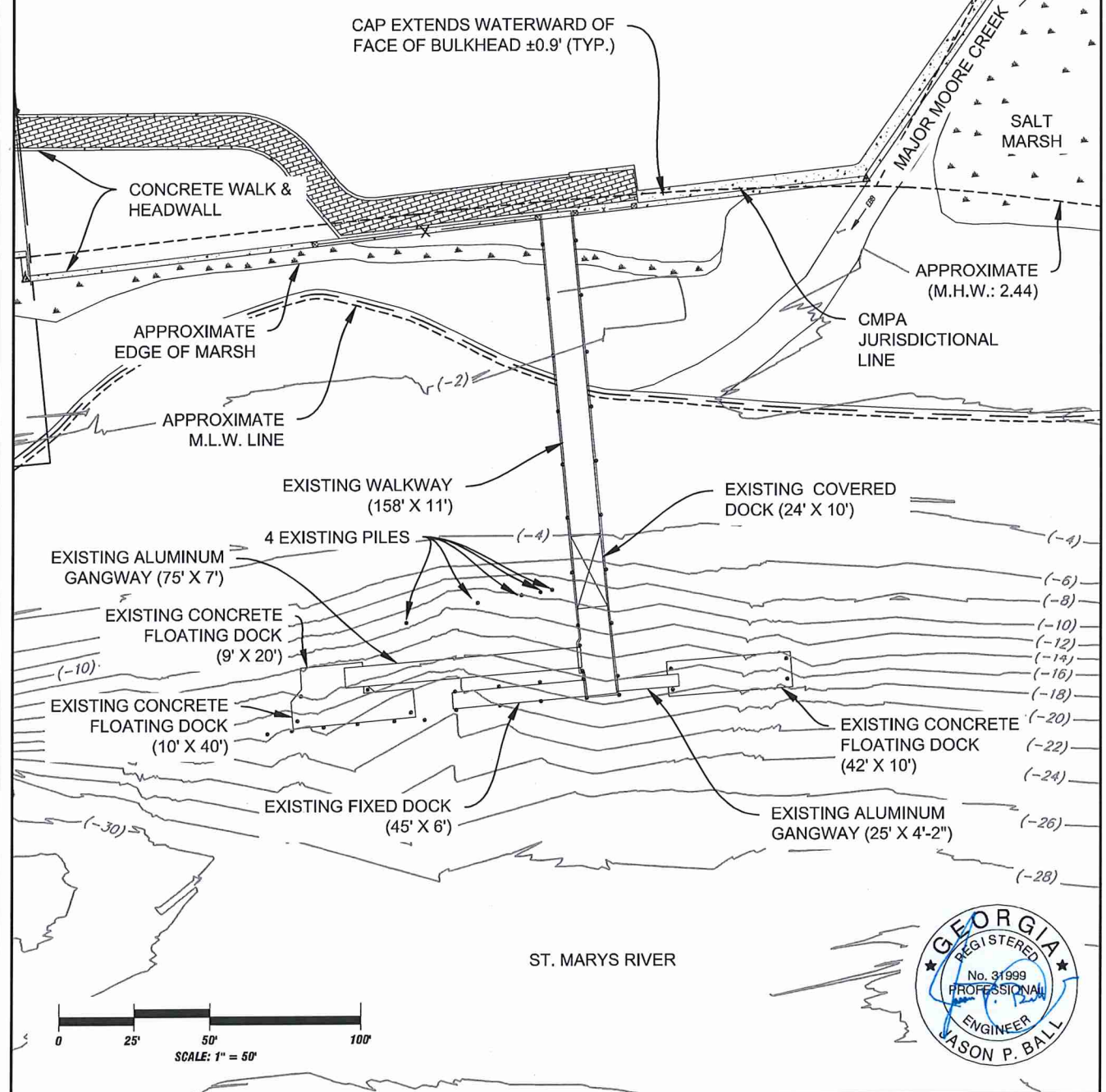


Ball Maritime Group, LLC
4 Cedar View Court | Savannah, Georgia | 31410 | (912) 662-2914

www.ballmaritime.com
Copyright © 2020

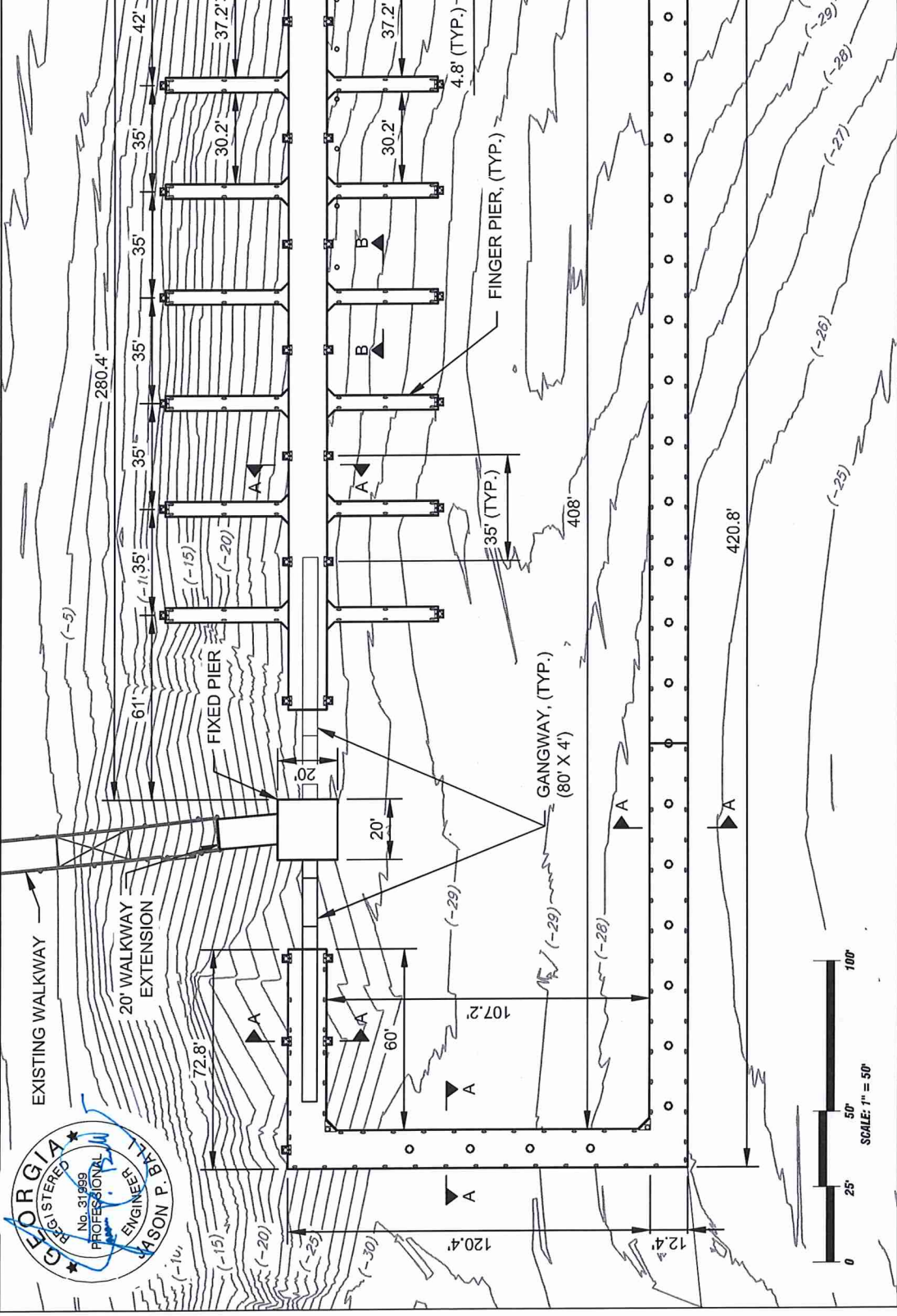
This map illustrates a general plan of the development which is for discussion purposes only. Does not limit or bind the owner and is subject to change and position locations are for illustrative purposes only and are subject to an accurate survey and property description. The information contained in this map is subject to change with out notice and is for illustrative purposes only and as such the producer assumes no legal responsibility.

BLOCK NO.5
(DEED BOOK 771, PG.557-559)



Existing Conditions **St. Marys Intercoastal Gateway Project**
 St. Marys, Georgia **PROPOSED ACTIVITY: Dock Improvements**
 Applicant: City of St. Marys
 Date: 05/26/2020
 County: Camden
 JOB#: 18-1039 **DATUM: MLW**
 SCALE: 1"=50' **SHEET: 3 of 9**

Ball Maritime Group, LLC
 4 Cedar View Court | Savannah, Georgia | 31410 | (912) 662-2914
 www.ballmaritime.com Copyright © 2020
 This map illustrates a general plan of the development which is for discussion purposes only. Does not limit or bind the owner and is subject to change and position locations are for illustrative purposes only and are subject to an accurate survey and property description. The information contained in this map is subject to change with out notice and is for illustrative purposes only and as such the producer assumes no legal responsibility.




Ball Maritime Group, LLC
 4 Cedar View Court | Savannah, Georgia | 31410 | (912) 662-2914
 www.ballmaritime.com
 Copyright © 2020

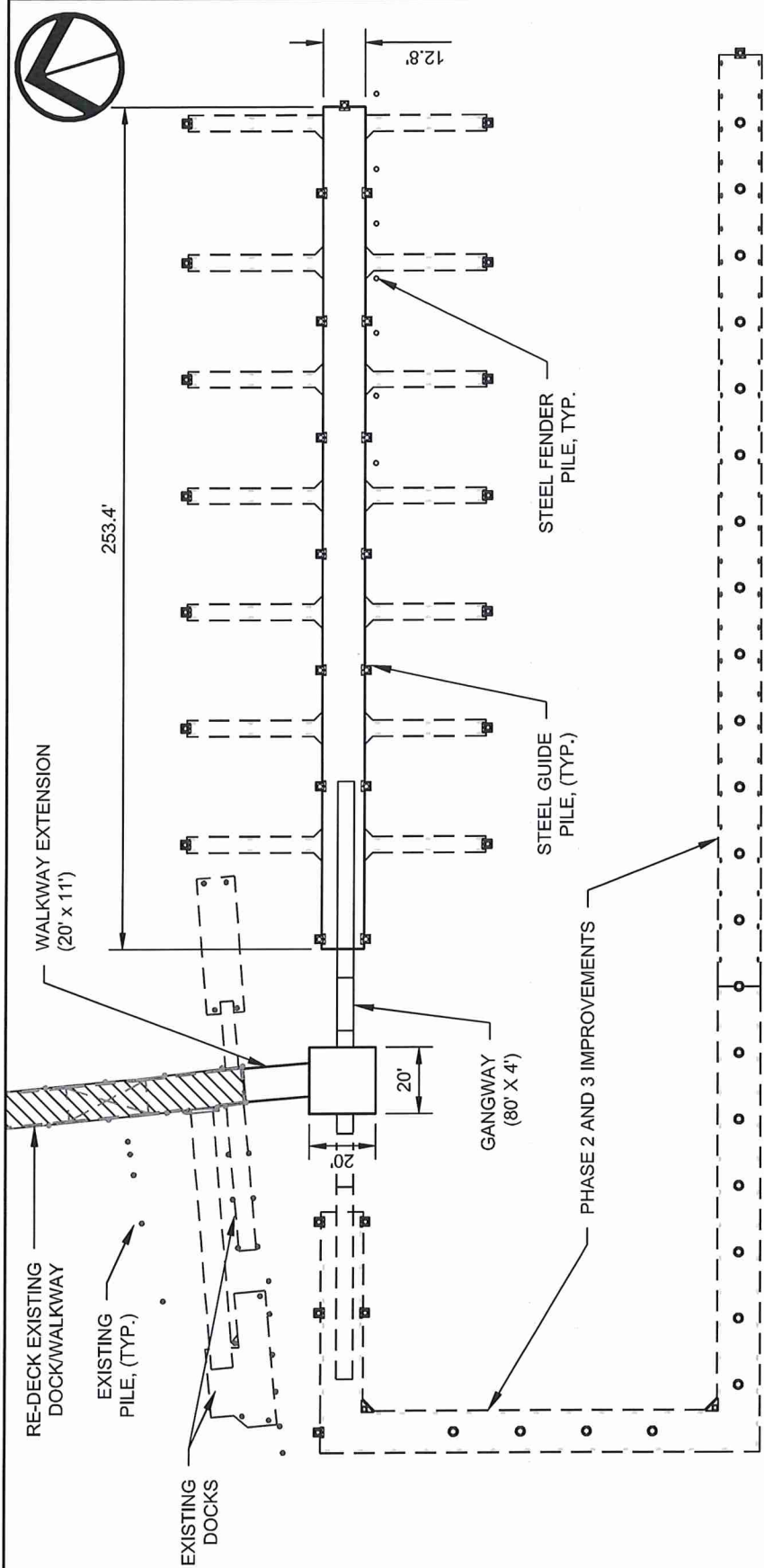
This map illustrates a general plan of the development which is for discussion purposes only. Does not limit or bind the owner and is subject to change and position locations are for illustrative purposes only and are subject to an accurate survey and property description. The information contained in this map is subject to change with out notice and is for illustrative purposes only and as such the producer assumes no legal responsibility.

GENERAL NOTES:

Proposed Improvements *St. Marys Interoceanal Gateway Project*
 PROPOSED ACTIVITY: Dock Improvements

St. Marys, Georgia
 Applicant: City of St. Marys
 Date: 05/26/2020
 County: Camden
 JOB#: 18-1039
 SCALE: 1"=50'

DATUM: MLW
 SHEET: 4 of 9



DOCK MEASUREMENTS:

PHASE 1:	4,183.5 SF
PHASE 2:	4,421.1 SF
PHASE 3:	6,189.8 SF
TOTAL:	14,794.4 SF



Dockage Plan - Phase 1 *St. Marys Intercoastal Gateway Project*
PROPOSED ACTIVITY: Dock Improvements

St. Marys, Georgia
 Applicant: *City of St. Marys*
 Date: *05/26/2020*
 County: *Camden*
 JOB#: *18-1039* DATUM: *MLW*
 SCALE: *1"=50'* SHEET: *5 of 9*

GENERAL NOTES:

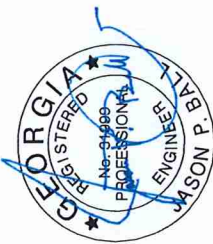
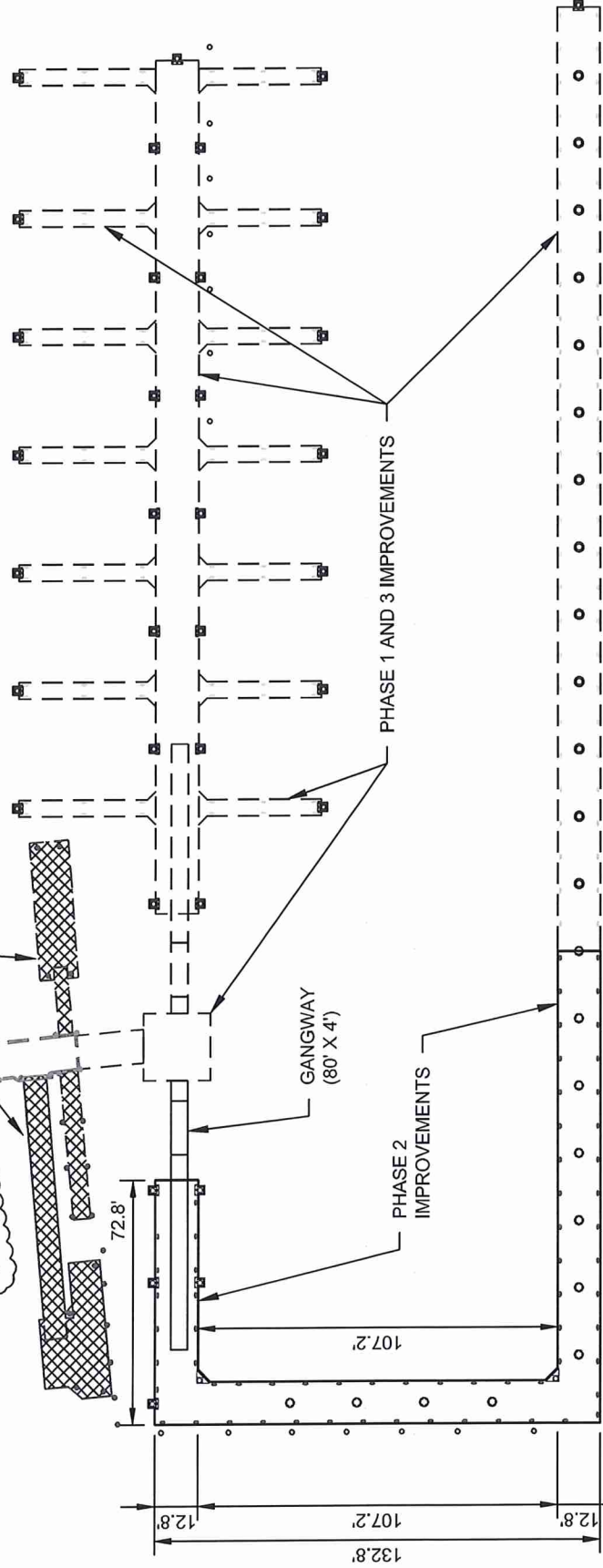
Ball Maritime Group, LLC
 4 Cedar View Court | Savannah, Georgia | 31410 | (912) 662-2914
 www.ballmaritime.com Copyright © 2020

This map illustrates a general plan of the development which is for discussion purposes only. Does not limit or bind the owner and is subject to change and position locations are for illustrative purposes only and are subject to an accurate survey and property description. The information contained in this map is subject to change with out notice and is for illustrative purposes only and as such the producer assumes no legal responsibility.



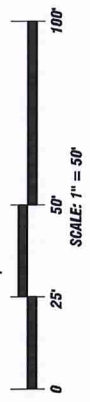
EXISTING DOCK/WALKWAY

DEMOLISH EXISTING GANGWAY, CONCRETE FLOATING DOCK, PIER HEAD, AND ALL ASSOCIATED WOODEN DOLPHINS



DOCK MEASUREMENTS:

PHASE 1:	4,183.5 SF
PHASE 2:	4,421.1 SF
PHASE 3:	6,189.8 SF
TOTAL:	14,794.4 SF



Dockage Plan - Phase 2 St. Marys Interoceanal Gateway Project
 St. Marys, Georgia PROPOSED ACTIVITY: Dock Improvements

Applicant: City of St. Marys
 Date: 05/26/2020
 County: Camden
 JOB#: 18-1039
 SCALE: 1"=50'

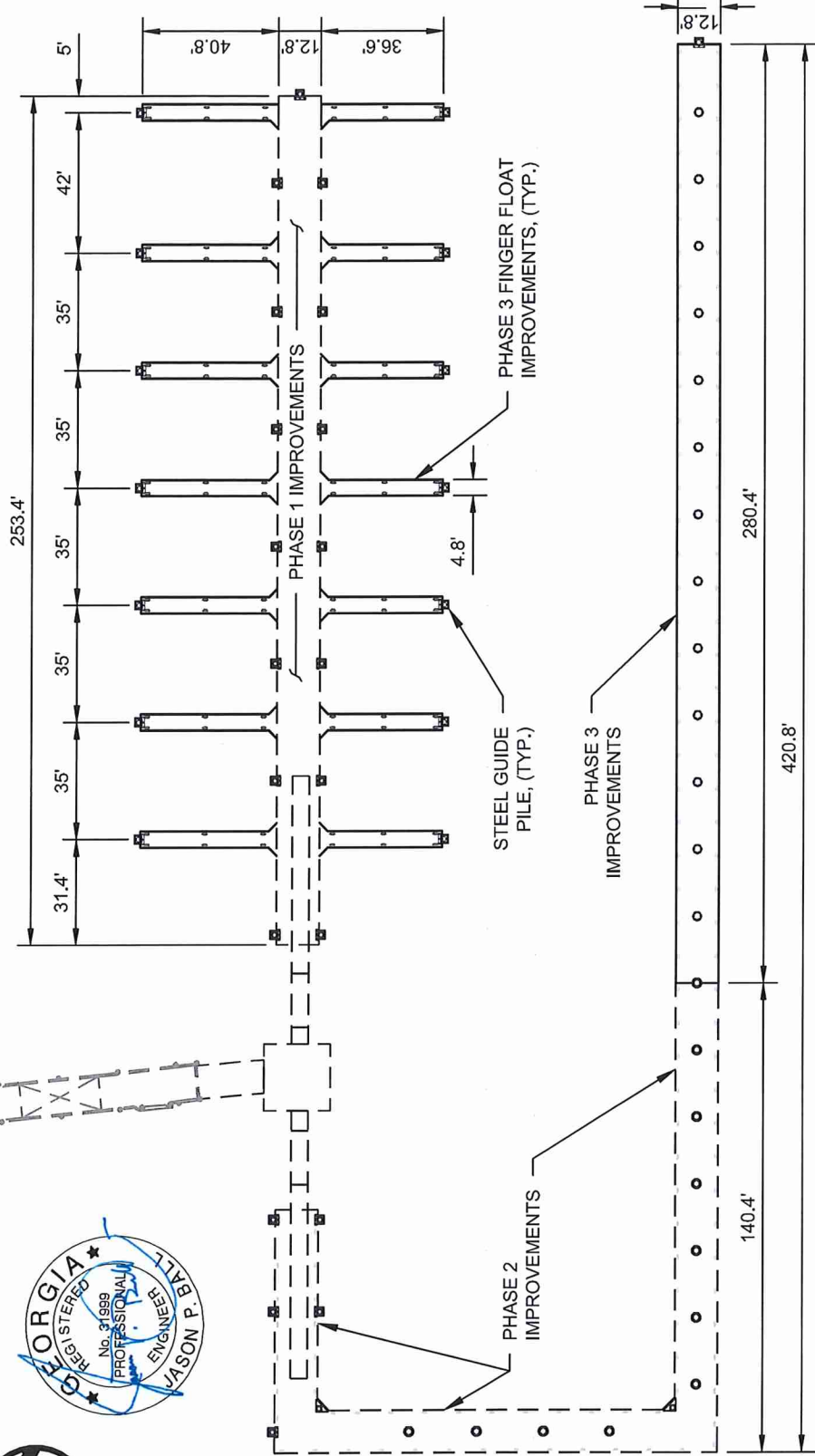
DATUM: MLW
 SHEET: 6 of 9

GENERAL NOTES:



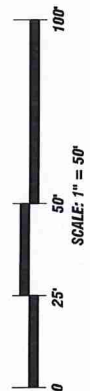
Ball Maritime Group, LLC
 4 Cedar View Court | Savannah, Georgia | 31410 | (912) 662-2914
 www.ballmaritime.com
 Copyright © 2020

This map illustrates a general plan of the development which is for discussion purposes only. Does not limit or bind the owner and is subject to change and position locations are for illustrative purposes only and are subject to an accurate survey and property description. The information contained in this map is subject to change with out notice and is for illustrative purposes only and as such the producer assumes no legal responsibility.



DOCK MEASUREMENTS:

PHASE 1:	4,183.5 SF
PHASE 2:	4,421.1 SF
PHASE 3:	6,189.8 SF
TOTAL:	14,794.4 SF



Dockage Plan - Phase 3 *St. Marys Intercoastal Gateway Project*
PROPOSED ACTIVITY: Dock Improvements

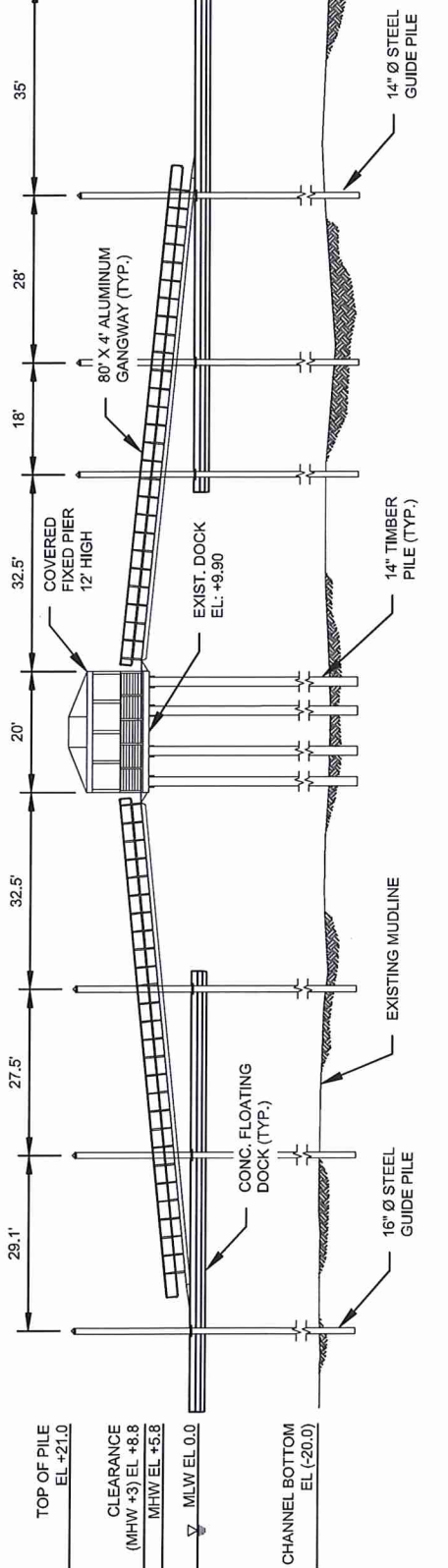
St. Marys, Georgia
 Applicant: City of St. Marys
 Date: 05/26/2020
 County: Camden
 JOB#: 18-1039
 SCALE: 1"=50' DATUM: MLW
 SHEET: 7 of 9

GENERAL NOTES:

Ball Maritime Group, LLC
 4 Cedar View Court | Savannah, Georgia | 31410 | (912) 662-2914
 www.ballmaritime.com
 Copyright © 2020

This map illustrates a general plan of the development which is for discussion purposes only. Does not limit or bind the owner and is subject to change and position locations are for illustrative purposes only and are subject to an accurate survey and property description. The information contained in this map is subject to change with out notice and is for illustrative purposes only and as such the producer assumes no legal responsibility.

MATCHLINE - SEE BOTTOM LEFT

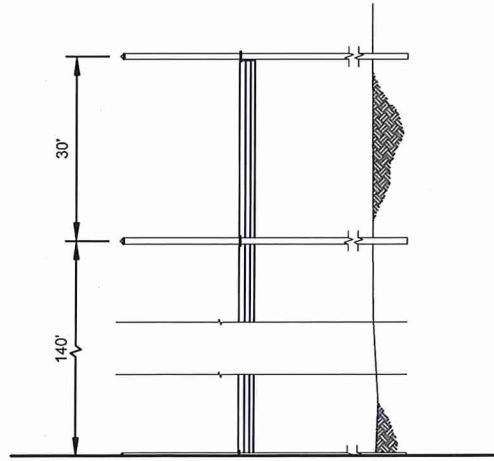


TOP OF PILE
EL. +21.0

CLEARANCE
(MHW +3) EL. +8.8
MHW EL. +5.8
MLW EL. 0.0

CHANNEL BOTTOM
EL. (-20.0)

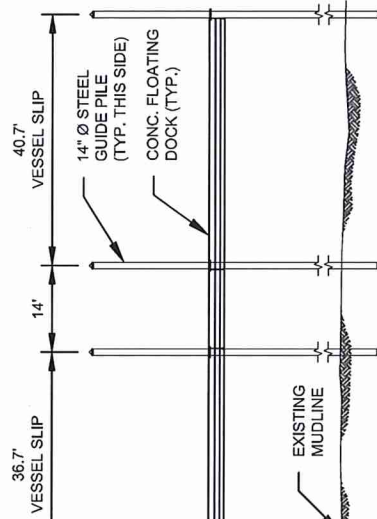
MATCHLINE - SEE TOP RIGHT



TOP OF PILE
EL. +21.0

CLEARANCE
(MHW +3) EL. +8.8
MHW EL. +5.8
MLW EL. 0.0

CHANNEL BOTTOM
EL. (-20.0)



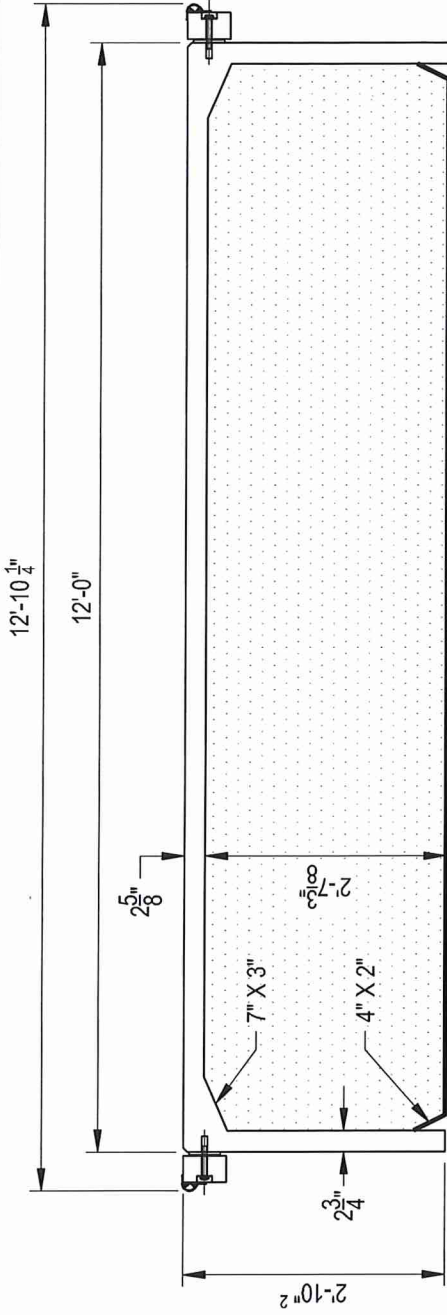
Elevations
 St. Marys, Georgia
 Applicant: City of St. Marys
 Date: 05/26/2020
 County: Camden
 JOB#: 18-1039
 SCALE: M.T.S.
 DATUM: MLW
 SHEET: 8 of 9

GENERAL NOTES:

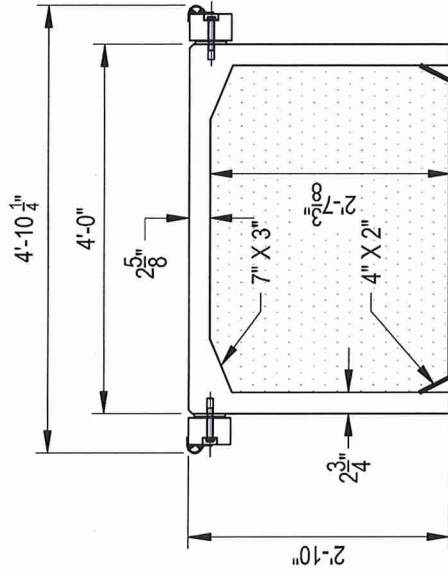
1. VERTICAL DATUM FOR ELEVATIONS SHOWN IS MEAN LOW WATER (MLW).
2. DEPTH OF FLOAT SECTIONS SHALL BE DETERMINED BY FLOAT MANUFACTURER.
3. BOTTOM OF GANGWAY SHALL BE OUTFITTED WITH WHEELS THAT HAVE STAINLESS STEEL AXLES.
4. ALUMINUM SHALL BE TYPE 6061.

Ball Maritime Group, LLC
 4 Cedar View Court | Savannah, Georgia | 31410 | (912) 662-2914
 www.ballmaritime.com
 Copyright © 2020

This map illustrates a general plan of the development which is for discussion purposes only. Does not limit or bind the owner and is subject to change and position locations are for illustrative purposes only and are subject to an accurate survey and property description. The information contained in this map is subject to change with out notice and is for illustrative purposes only and as such the producer assumes no legal responsibility.



SECTION A-A



SECTION B-B

POLYAREA ¹/₈" COATING
ON ALL EXPOSED FOAM



Sections
St. Marys, Georgia
Applicant: City of St. Marys
Date: 05/26/2020
County: Camden
JOB#: 18-1039
SCALE: N.T.S.

St. Marys Intercoastal Gateway Project
PROPOSED ACTIVITY: Dock Improvements

DATE: 05/26/2020
COUNTY: Camden
JOB#: 18-1039
SCALE: N.T.S.

- GENERAL NOTES:**
- VERTICAL DATUM FOR ELEVATIONS SHOWN IS MEAN LOW WATER (MLW).
 - DEPTH OF FLOAT SECTIONS SHALL BE DETERMINED BY FLOAT MANUFACTURER.
 - BOTTOM OF GANGWAY SHALL BE OUTFITTED WITH WHEELS THAT HAVE STAINLESS STEEL AXLES.
 - ALUMINUM SHALL BE TYPE 6061.

Ball Maritime Group, LLC
 4 Cedar View Court | Savannah, Georgia | 31410 | (912) 662-2914
 www.ballmaritime.com
 Copyright © 2020

This map illustrates a general plan of the development which is for discussion purposes only. Does not limit or bind the owner and is subject to change and position locations are for illustrative purposes only and are subject to an accurate survey and property description. The information contained in this map is subject to change with out notice and is for illustrative purposes only and as such the producer assumes no legal responsibility.